

50mm dia. duct marked with 'Electricity' for incoming service cable

600mm Min. - 1200mm Max.

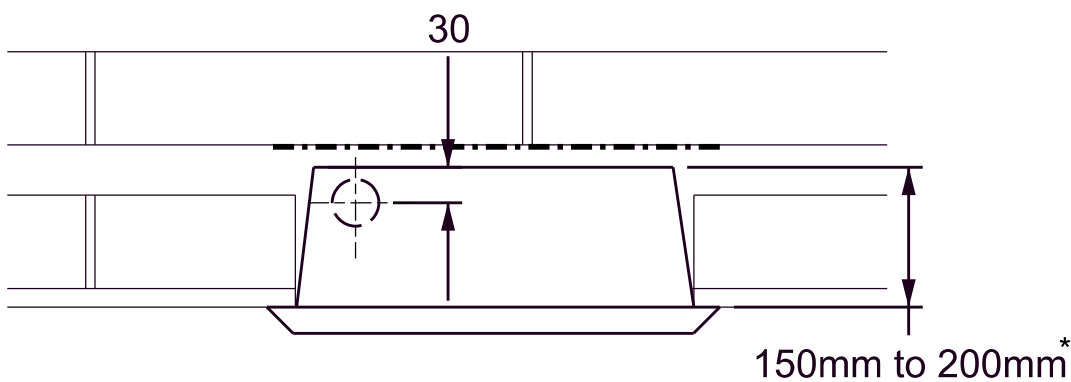
From finished ground level

External Meter Cupboard Measurements (mm)*

	Tariffs Available	Minimum Backboard Dimensions		Minimum Size of Door Opening		Approximate Size of Hole in Fabric of Building	
		Height	Width	Height	Width	Height to	Width
Medium	G/D Only	530	330	615	415	580	380
large	G/D, E7, E20, C/H	620	400	720	500	655	465

NOTES

- Cupboard to be installed into wall according to manufacturer's instructions and required dimensions
- Door frame to provide a rain proof seal
- Approved lock to be fitted
- Backboard to be in good condition and may be encased in a layer of GRP
- Duct to be installed as indicated flush inside the bottom of the box
- All internal cabling to enter at bottom of the box away from the location of Jersey Electricity equipment
- All access holes to be cut neatly with hole saw, or 'knock-out' used
- Ownership and maintenance is the responsibility of the householder
- The cupboard may be painted to match other features
- Maximum permissible length of cabling (meter tails) From JE meter to customers equipment is 3 metres
- *Dimensions vary according to cabinet type (Rosden/Normans/Pentagon)



NOTE. All dimensions in millimetres

Rev	Date	Description	Drawn	Appd
C	01-10-2012	Tariffs available and customer ducts added	TSB	EP
B	07-10-2011	Thickness dimension and notes added	TSB	GG
A	20-9-2010	Maximum cable length note added	TSB	-
-	17-6-2009	Original Issue	TSB	-

Title

**Typical Method of
Installation of Single Phase
Medium & Large
Flush Mounted Meter Cupboards.
To ENA TS12-3**

The Intellectual Property Rights (IPR) i.e. Patents, Copyright, Trade Secrets, Design Rights etc., remain strictly the property of Jersey Electricity Company plc and may not be copied and /or reproduced in any form without their 'Express Permission'.



Jersey Electricity plc

The Powerhouse PO Box 45 Queen's Road St. Helier Jersey JE4 8NY.
Tel - 01534 505000 Fax - 01534 505011 e-mail - jec@jec.co.uk

Dr. No. **211-N21-1** Revision **C**