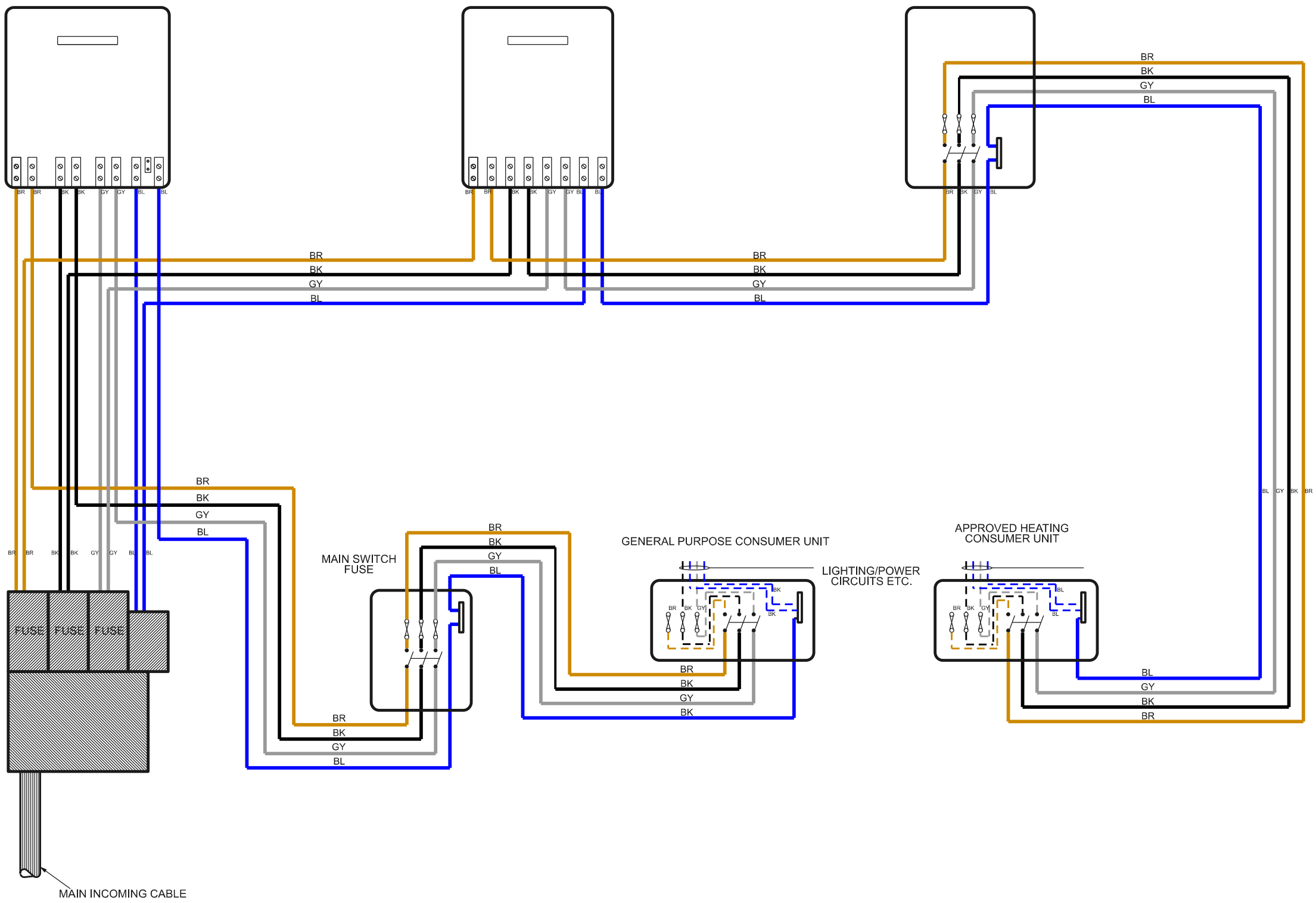


GLP SINGLE ELEMENT
3 PHASE SMART METER

HEATING SINGLE ELEMENT
3 PHASE SMART METER

APPROVED HEATING
EQUIPMENT 3 PHASE
MAIN SWITCH FUSE




It is not permissible to feed the 'general lights and power' supply via the heating system at any point, and the identification of any such installation will result in Jersey Electricity seeking to recover any revenue lost as a consequence.

Three Phase Metering - Taken from BS7671 Table 4D1A			
Cable Size	Installation Method		JE Service Fuse
	Clipped direct with DI cable	In trunking with single insulated cable	
16	YES	YES	60
25	YES	YES	80
25	YES	NO	100
35	YES	YES	100

Rev	Date	Description	Drn	Appd
A	17-5-2016	Title altered	TSB	DP
-	8-4-2016	Original Issue	TSB	DP

Notes
***IF THE CONSUMER UNITS ARE WITHIN 3m OF THE METER AND VISABLE NO ISOLATION IS REQUIRED PRIOR TO THE CONSUMER UNIT MAIN SWITCH.**
CABLE SIZE IS DEPENDANT ON THE SERVICE LOADING AS SPECIFIED BY THE ESE FORM AND THE SERVICE FUSE SIZE. SEE INSET TABLE

Title
TYPICAL FULL THREE PHASE ECONOMY E20 + SMART METERING INSTALLATION
The Intellectual Property Rights (IPR) ie. Patents, Copyright, Trade Secrets, Design Rights etc., remain strictly the property of 'Jersey Electricity Company plc' and may not be copied and /or reproduced in any form without their 'Express Permission'.



Jersey Electricity plc

The Powerhouse PO Box 45 Queen's Road St. Helier Jersey JE4 8NY.
 Tel - 01534 505460 Fax - 01534 505565 e-mail - jec@jec.co.uk

Drng. No. **197-N21-1** Revision **A**