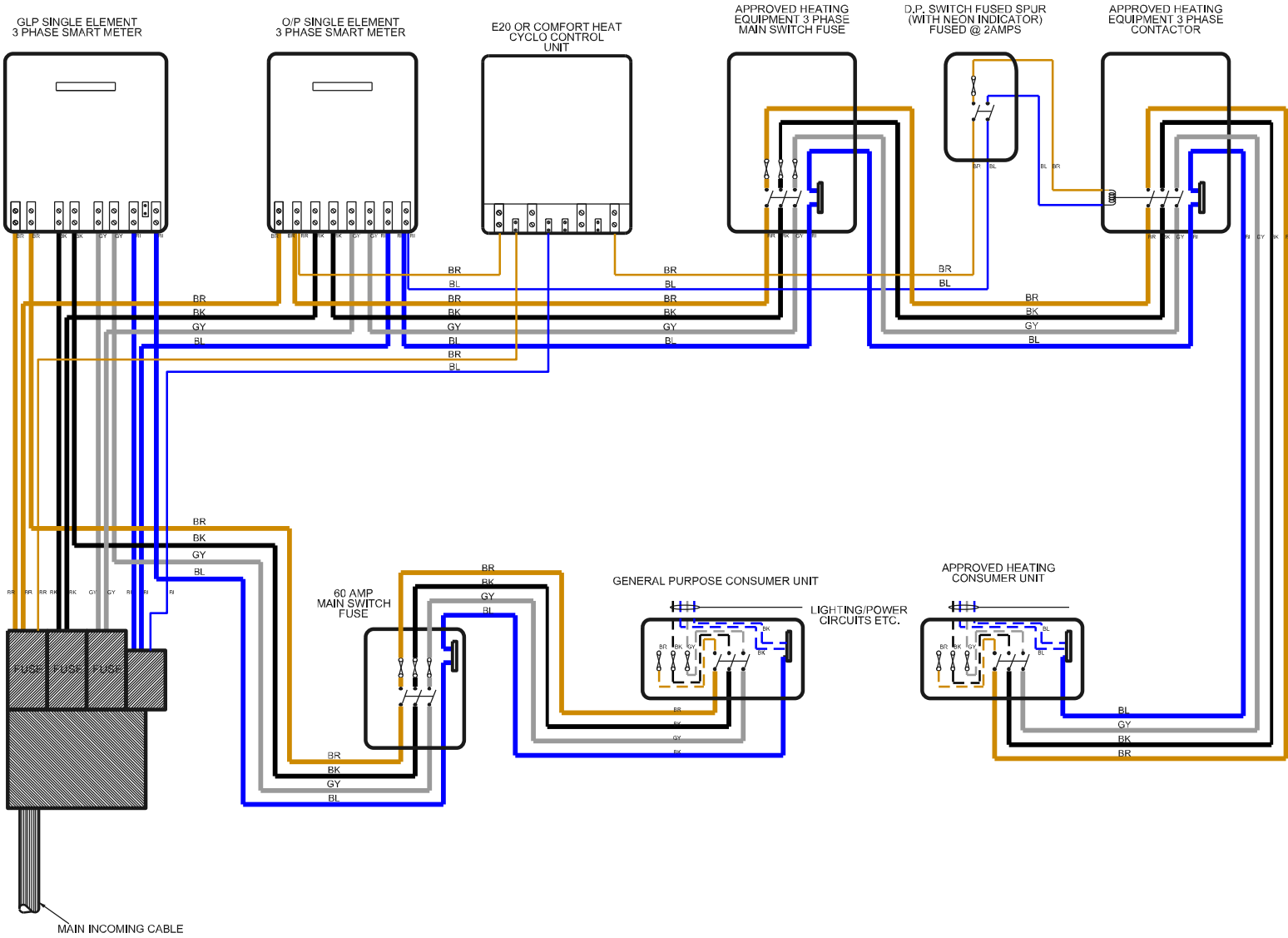


BR BROWN } 6mm<sup>2</sup>  
BL BLUE }



**Economy 20 (20 hour 'off-peak' Interruptible heating tariff)**

It is permissible for customers to arrange for their electrician to install (and maintain) an automatic 'change-over' system to enable approved heating and water heating throughout the full 24 hour period if they are on Economy 20 tariff.

Please Note:- An auto 'change-over' system can only be used by a customer on 'E20' tariff and will mean that they will not only be using 4 hours of extra heating and water heating per day, but also that any units used during the interrupted periods will be charged at the more expensive 'General' tariff rate, resulting in higher electricity bills.

It is not permissible to feed the 'general lights and power' supply via the heating system at any point, and the identification of any such installation will result in Jersey Electricity seeking to recover any revenue lost as a consequence.

Example wiring diagram ref to drawing 177-n21-1

Three Phase Metering - Taken from BS7671 Table 4D1A			
Cable Size	Installation Method		JE Service Fuse
	Clipped direct with DI cable	In trunking with single insulated cable	
16	YES	YES	60
25	YES	YES	80
25	YES	NO	100
35	YES	YES	100

Rev	Date	Description	Dm	Appd
B	10-06-2012	Table added and modifications	TSB	DW
A	10-4-2012	Neutral switching removed	DGB	DW
-	4-7-2008	Original Issue	PJR	

Notes

**\*IF THE CONSUMER UNITS ARE WITHIN 3m OF THE METER THEN NO ISOLATION IS REQUIRED PRIOR TO THE CONSUMER UNIT MAIN SWITCH.**

**CABLE SIZE IS DEPENDANT ON THE SERVICE LOADING AS SPECIFIED BY THE ESE FORM AND THE SERVICE FUSE SIZE. SEE INSET TABLE**

Title

**TYPICAL FULL THREE PHASE ECONOMY 20 OR COMFORT HEAT SMART METERING INSTALLATION**

The Intellectual Property Rights (IPR) i.e. Patents, Copyright, Trade Secrets, Design Rights etc. remain strictly the property of 'Jersey Electricity Company plc' and may not be copied and/or reproduced in any form without their 'Express Permission'.



Jersey Electricity plc

The Powerhouse PO Box 45 Queen's Road St. Helier Jersey JE4 8NY.  
Tel- 01534 505460 Fax - 01534 505565 e-mail- jcc@jcc.co.uk

Drg.No. **197-N21** Revision **B**